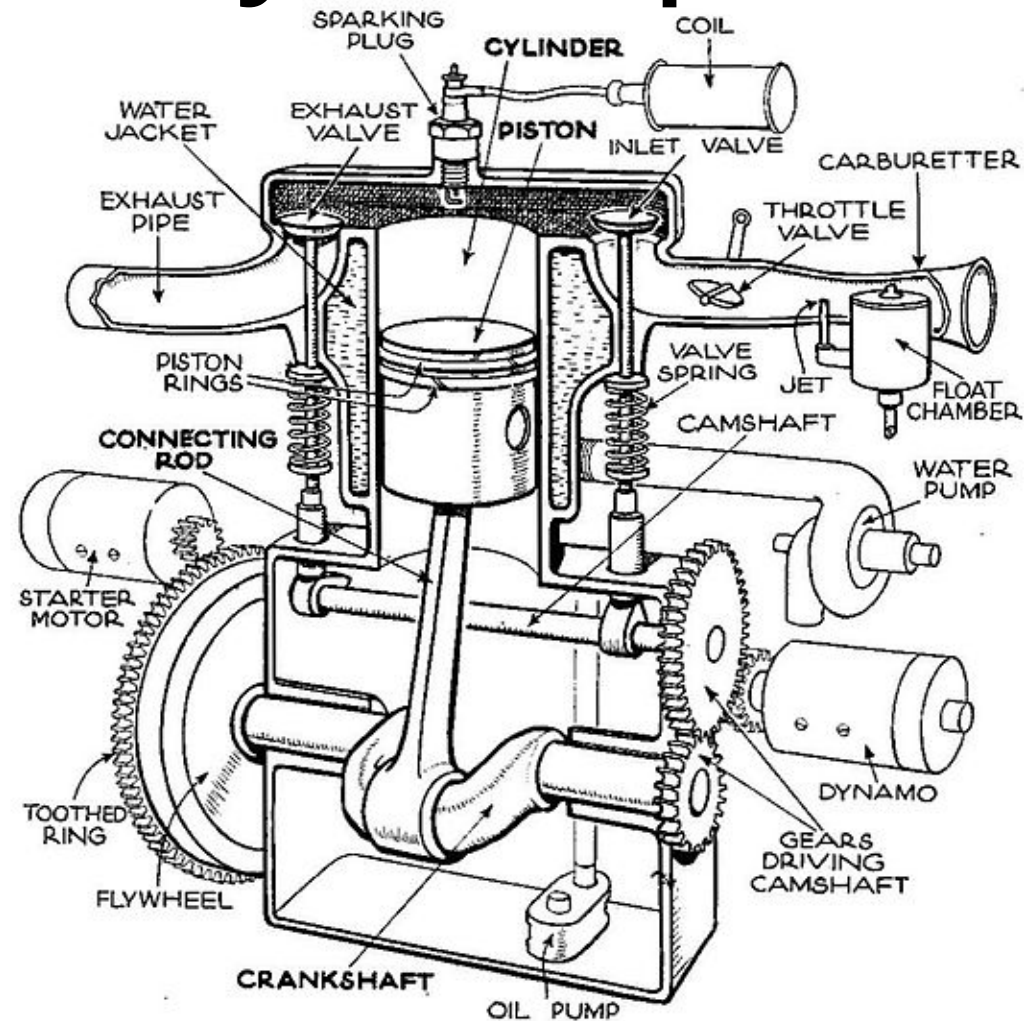


Responsibility

Programming 2

Think of any system with many components



Source: [https://commons.wikimedia.org/wiki/File:Single-cylinder_T-head_engine_\(Autocar_Handbook,_13th_ed,_1935\).jpg](https://commons.wikimedia.org/wiki/File:Single-cylinder_T-head_engine_(Autocar_Handbook,_13th_ed,_1935).jpg)

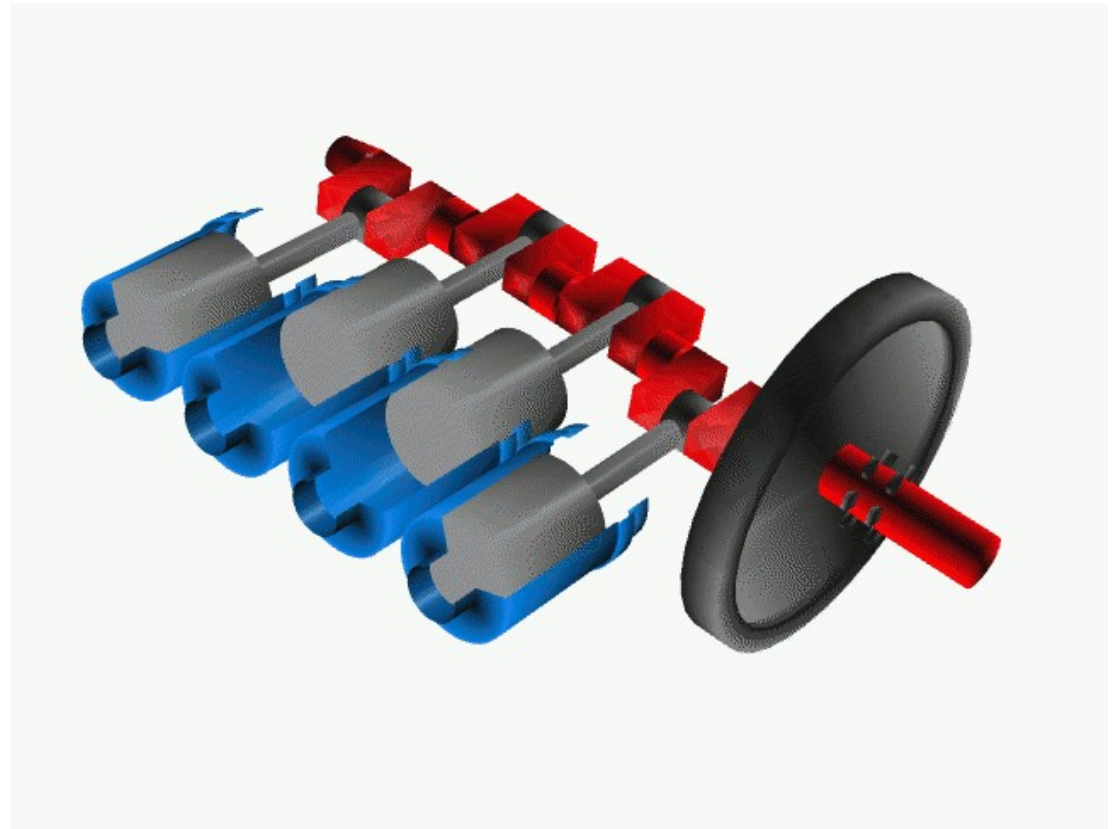
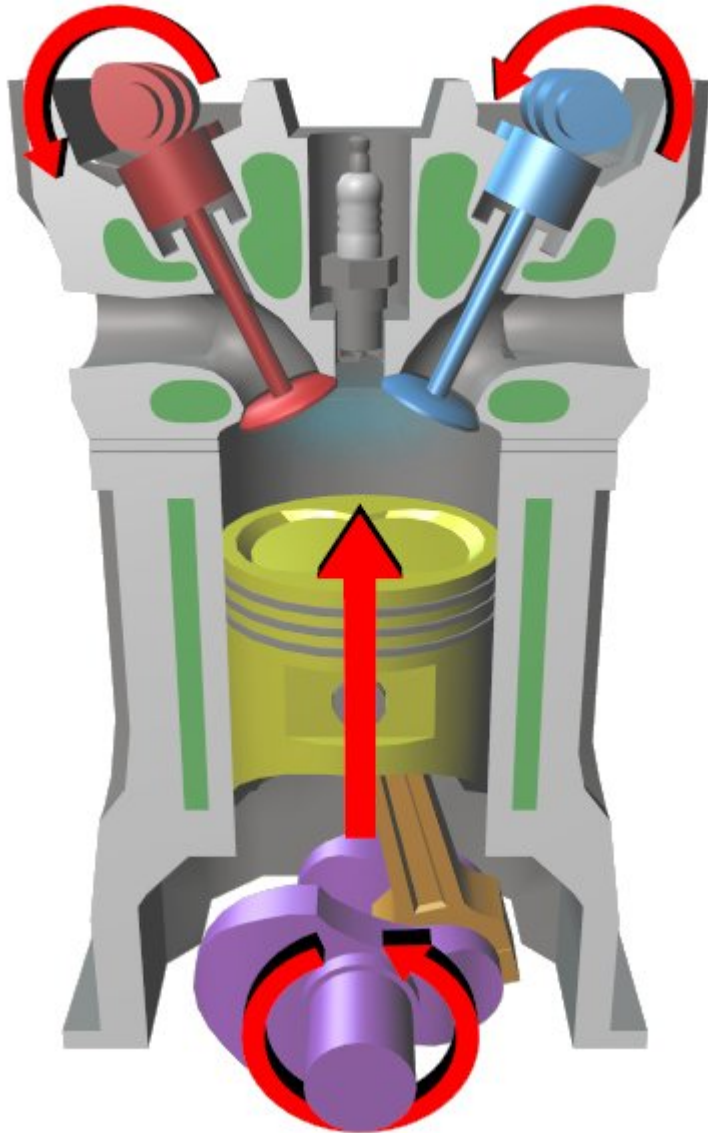
Think of any system with many components



By Linda on the bridge to NewWhere

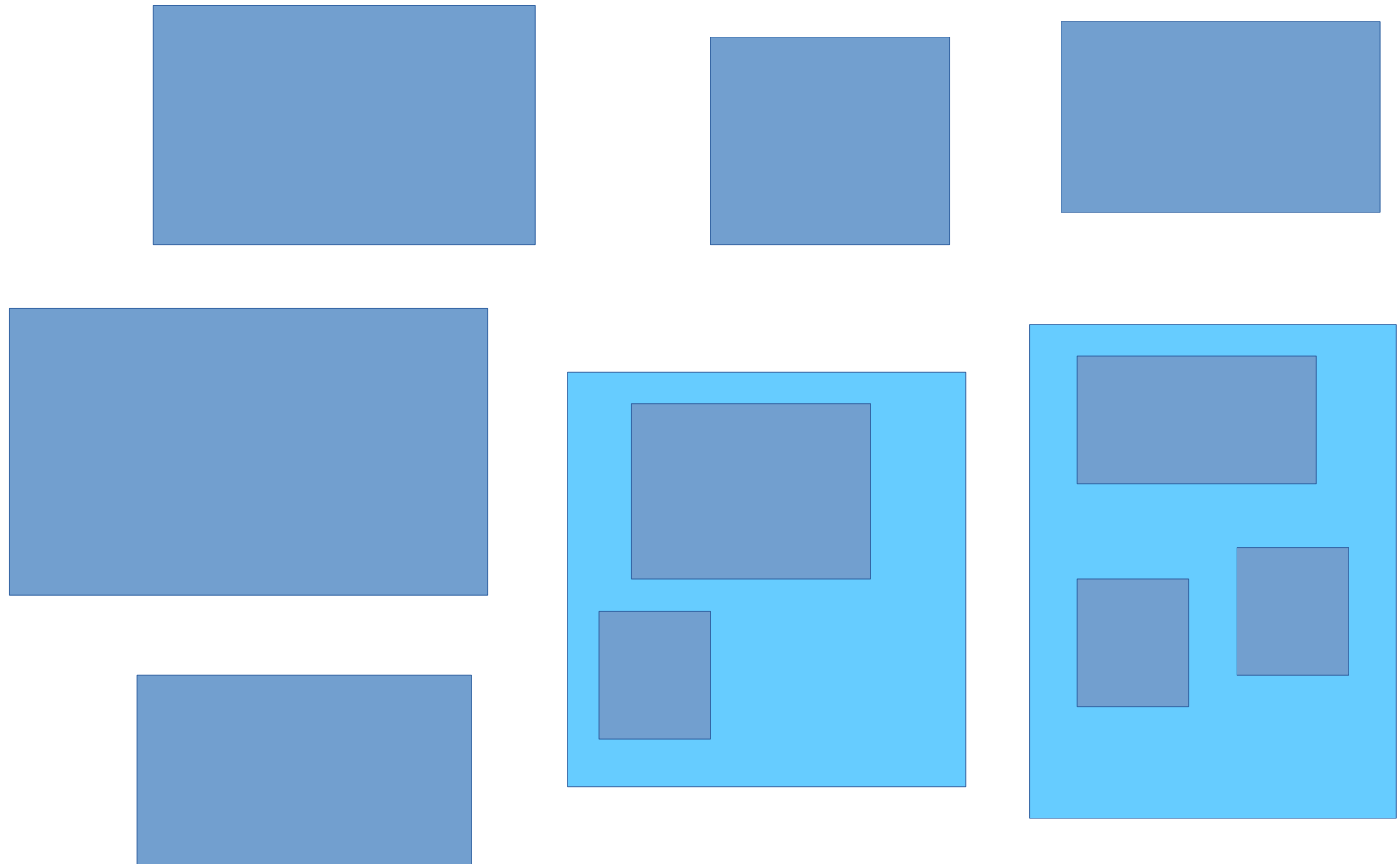
Source: <https://www.flickr.com/photos/briarcraft/27542524099>

They work together



Source: https://en.wikipedia.org/wiki/File:Four_stroke_cycle_compression.jpg and <https://en.wikipedia.org/wiki/File:Cshaft.gif>

Pieces inside software



CRC cards

ClassName	
Responsibilities	Collaborators



Example

Mario	
Knows location Knows velocity	Platform Turtle Fireball Pipe
Jumps on platform Falls from platform	
Kicks turtles	
Dies from fireball Dies from turtles	
Goes through pipes	

Let's practice

- Look at the code for Asteroid Smasher